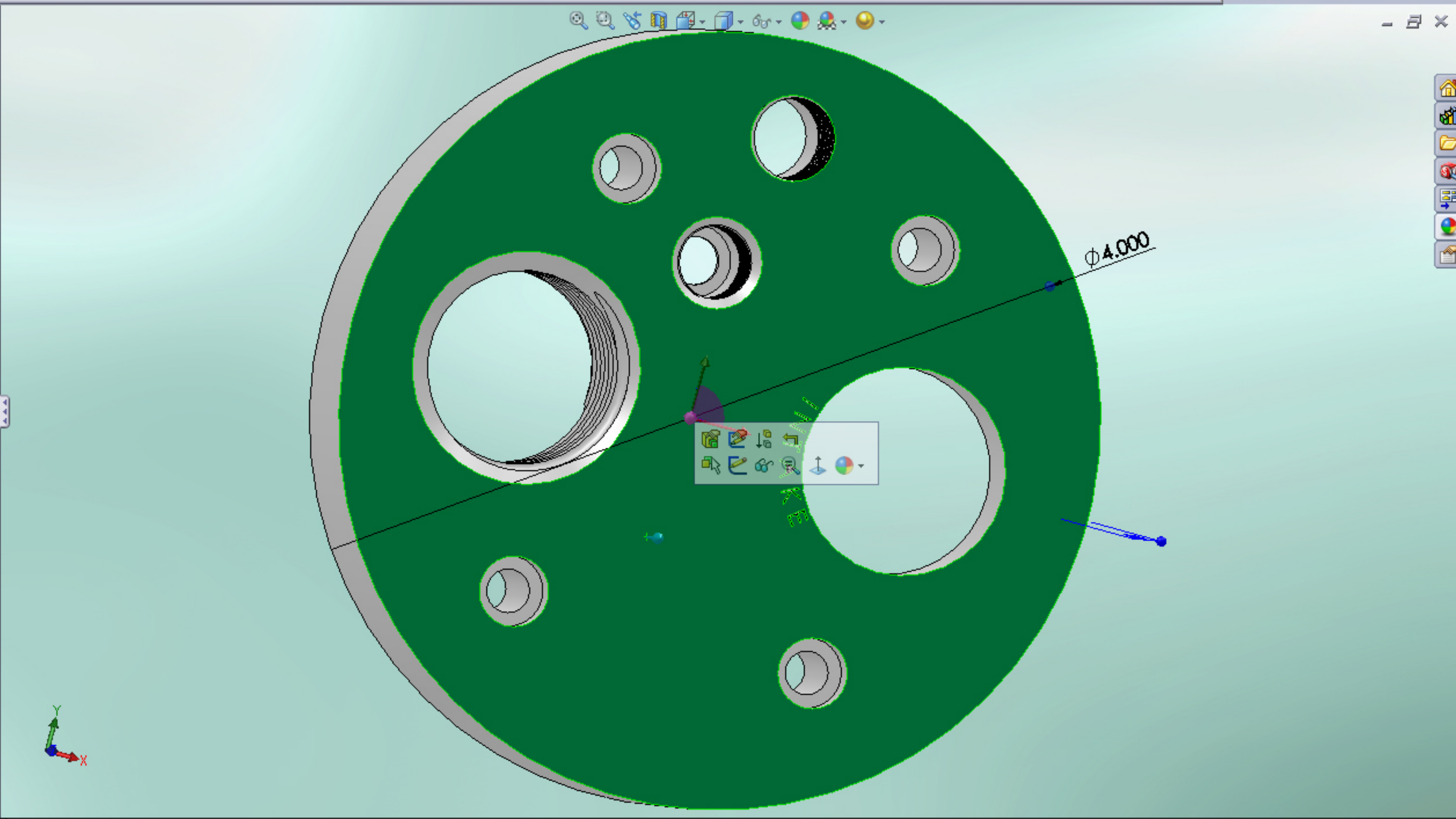




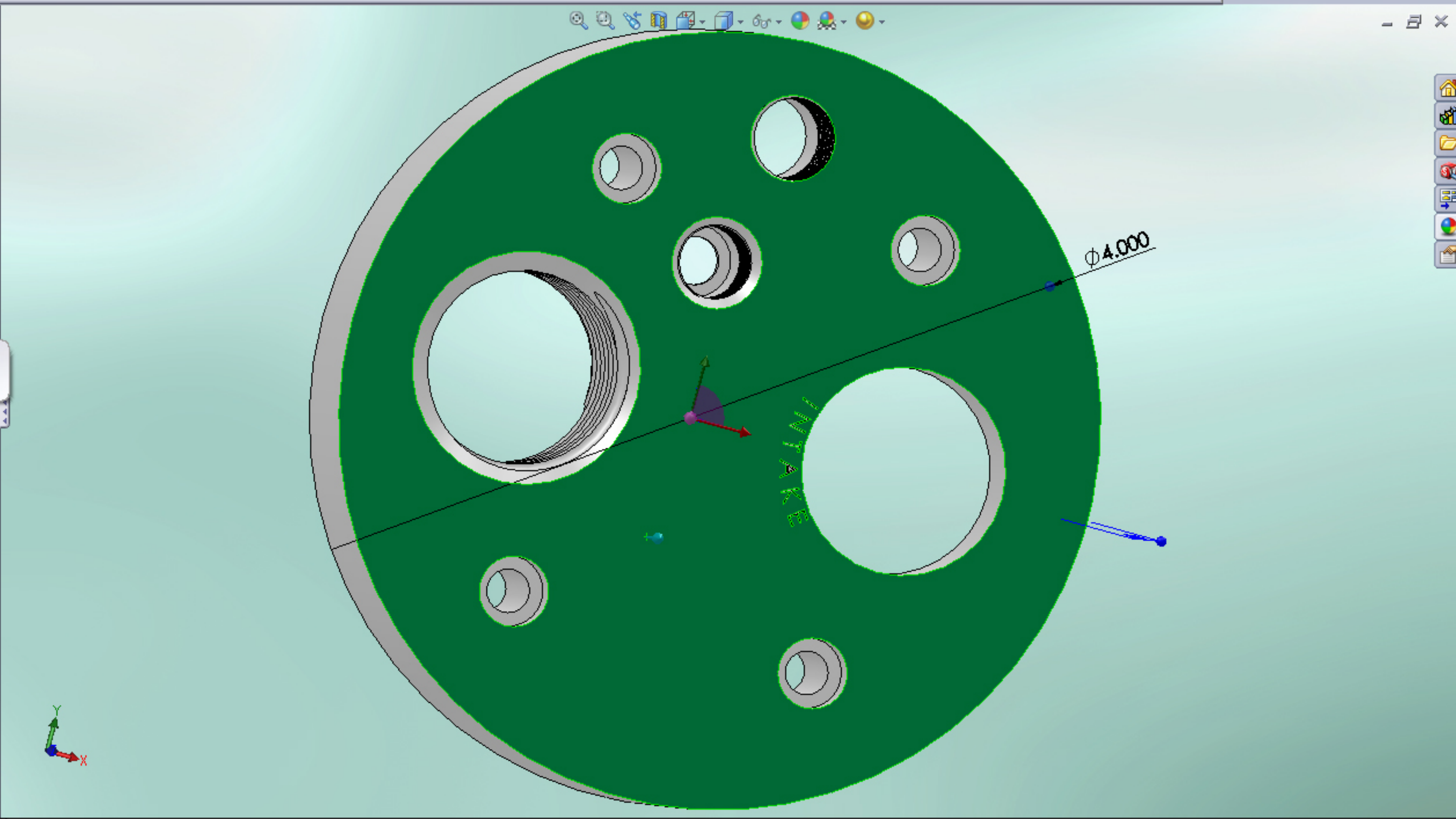
- Part1 (Default<<Default>_Display St...
- Sensors
- Annotations
- Plain Carbon Steel
- Front Plane
- Top Plane
- Right Plane
- Origin
- Boss-Extrude1
- Cut-Revolve1
- Cut-Extrude1
- Plane1
- Chamfer1
- Thread 1
- Cut-Extrude3
- Cut-Extrude4
- Cut-Extrude5
- Plane2
- Plane3
- Chamfer2
- Cut-Sweep1
- Cut-Extrude6
- Cut-Extrude7
- Mirror1
- Mirror2
- Cut-Extrude8
- Plane4
- Cut-Sweep2
- Cut-Extrude9





Features Sketch Evaluate DimXpert

- Part1 (Default<<Default>_Display St...
- Sensors
- Annotations
- Plain Carbon Steel
- Front Plane
- Top Plane
- Right Plane
- Origin
- Boss-Extrude1
- Cut-Revolve1
- Cut-Extrude1
- Plane1
- Hole Wizard**
Inserts a hole using a pre-defined cross-section.
- Cut-Extrude4
- Cut-Extrude5
- Plane2
- Plane3
- Chamfer2
- Cut-Sweep1
- Cut-Extrude6
- Cut-Extrude7
- Mirror1
- Mirror2
- Cut-Extrude8
- Plane4
- Cut-Sweep2
- Cut-Extrude9





Features Sketch Evaluate DimXpert

Part1 (Default<<Default>_...

Hole Specification

✓ ✗

Type Positions

Favorite
No Favorite Selected

Hole Type

Standard: Ansi Inch

Type: Tapered Pipe Tap

Hole Specifications

Size: 1/16

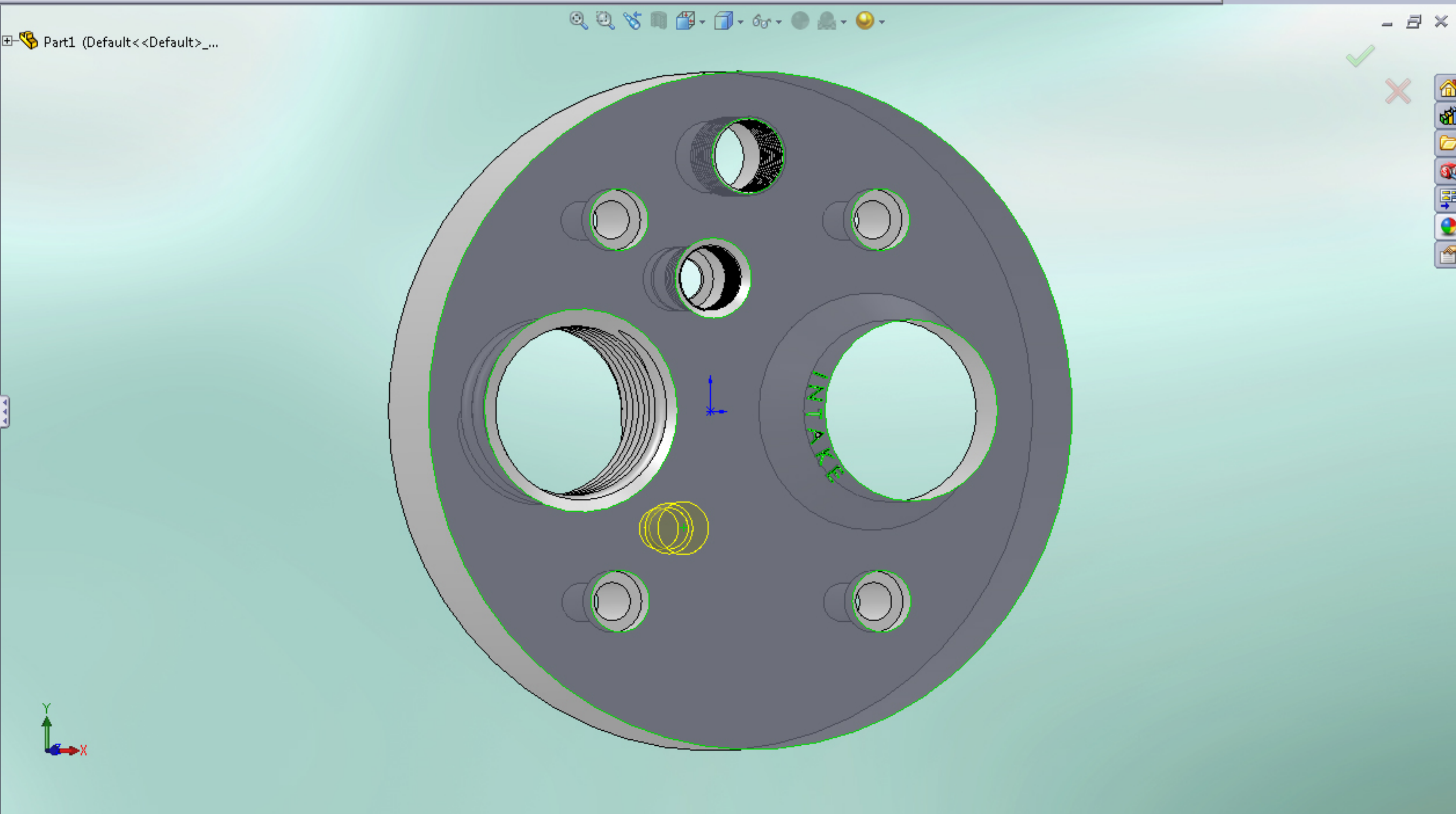
Show custom sizing

End Condition

Tap drill: Blind

0.456in

Thread: 0.271in



Model Motion Study 1



Features Sketch Evaluate DimXpert

Part1 (Default<<Default>_...

Hole Specification ?

✓ ✗

Type Positions

Favorite

No Favorite Selected

Hole Type

Standard: Ansi Inch

Type: Flat Head Screw (100)

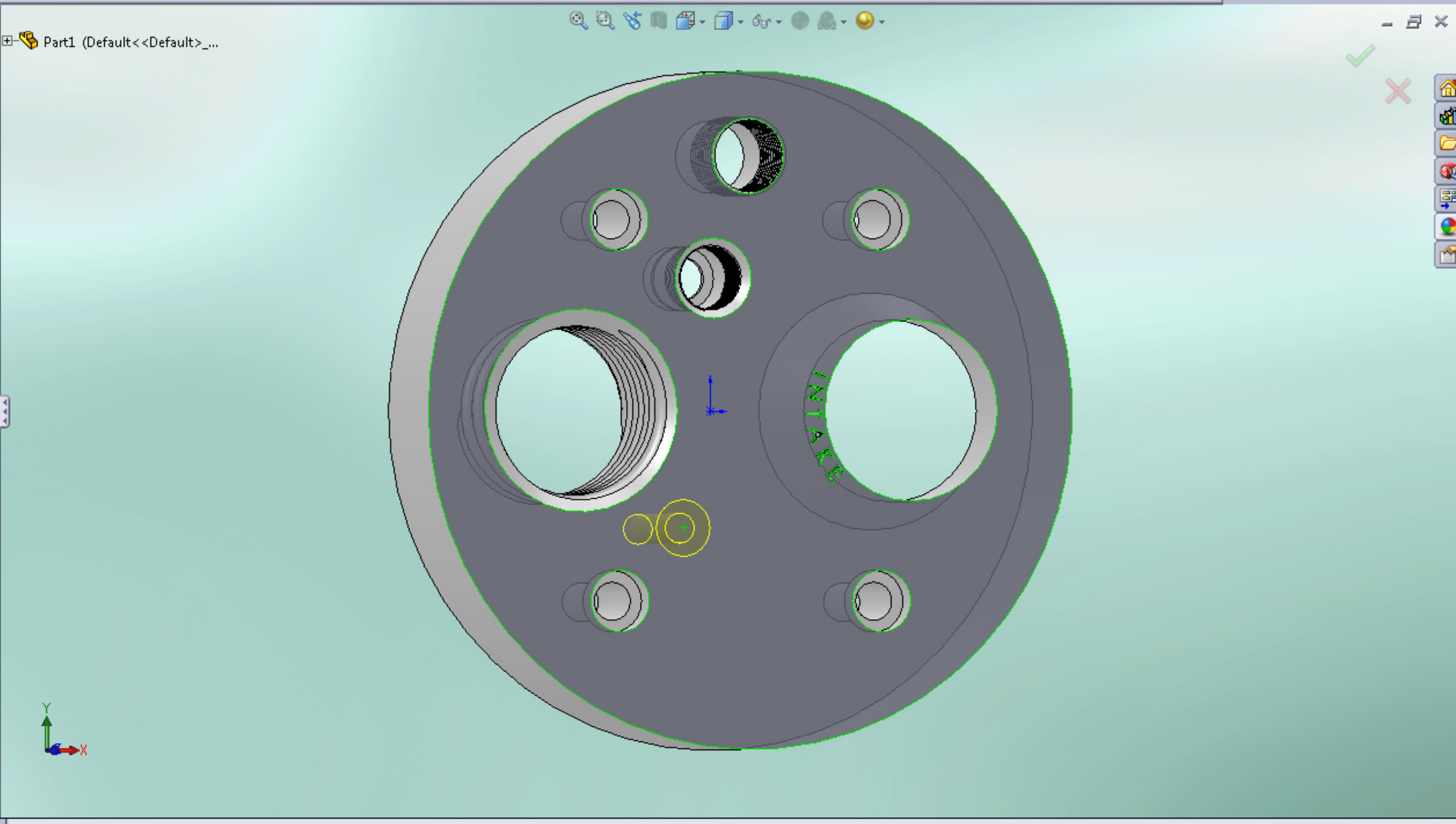
Hole Specifications

Size: #8

Fit: Normal

End Condition: Through All

Options: Head clearance





Features Sketch Evaluate DimXpert

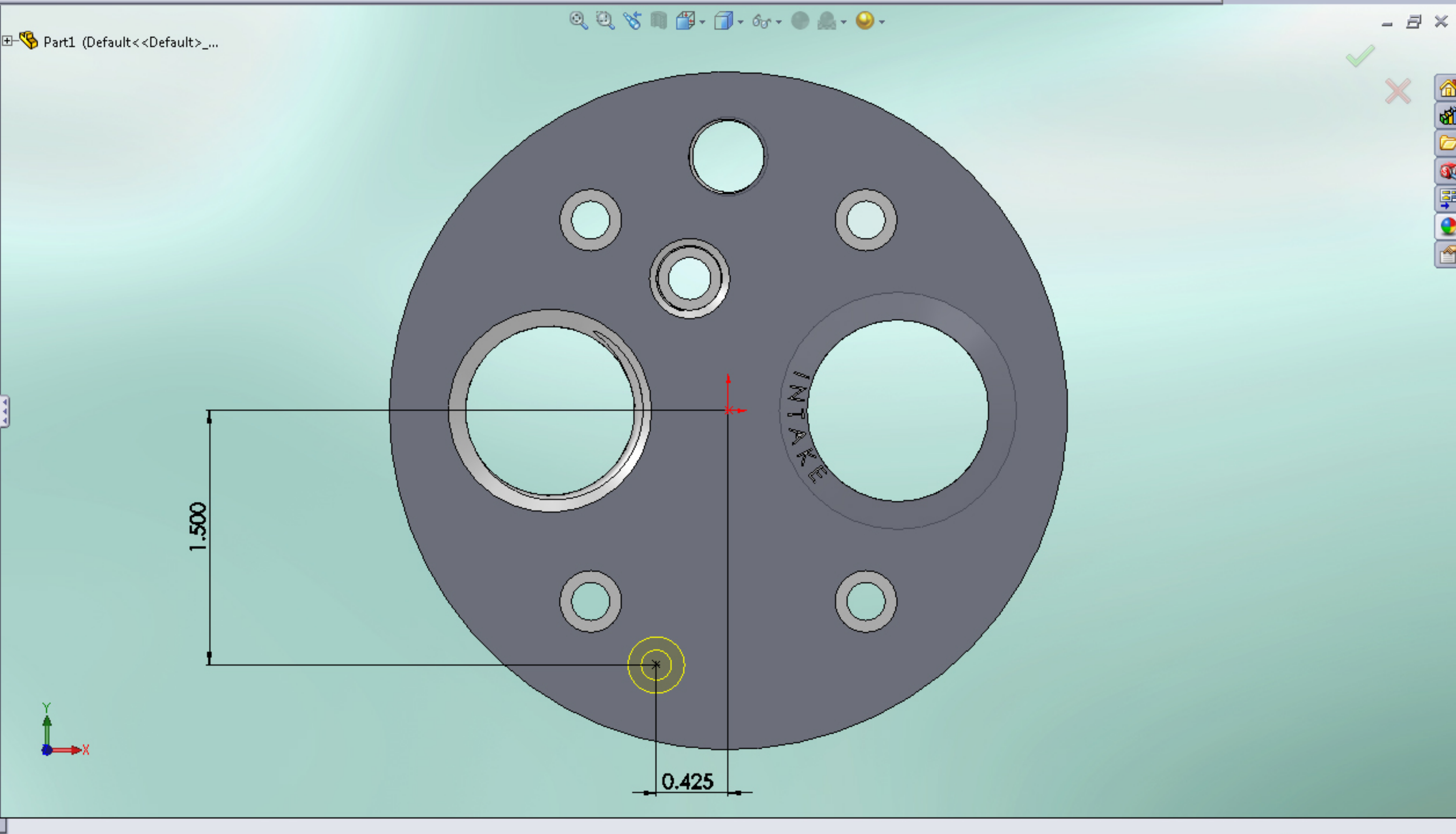
Hole Position ?

OK Positions

Hole Position(s)

Use the dimensions and other sketch tools to position the hole center(s).

Click on the 'Type' tab to define the hole specification and size.



Undo Hole Wizard Ctrl+Z
 Can't Redo Ctrl+Y
 Repeat Last Command

Cut Ctrl+X
 Copy Ctrl+C
 Paste Ctrl+V
 Delete Del

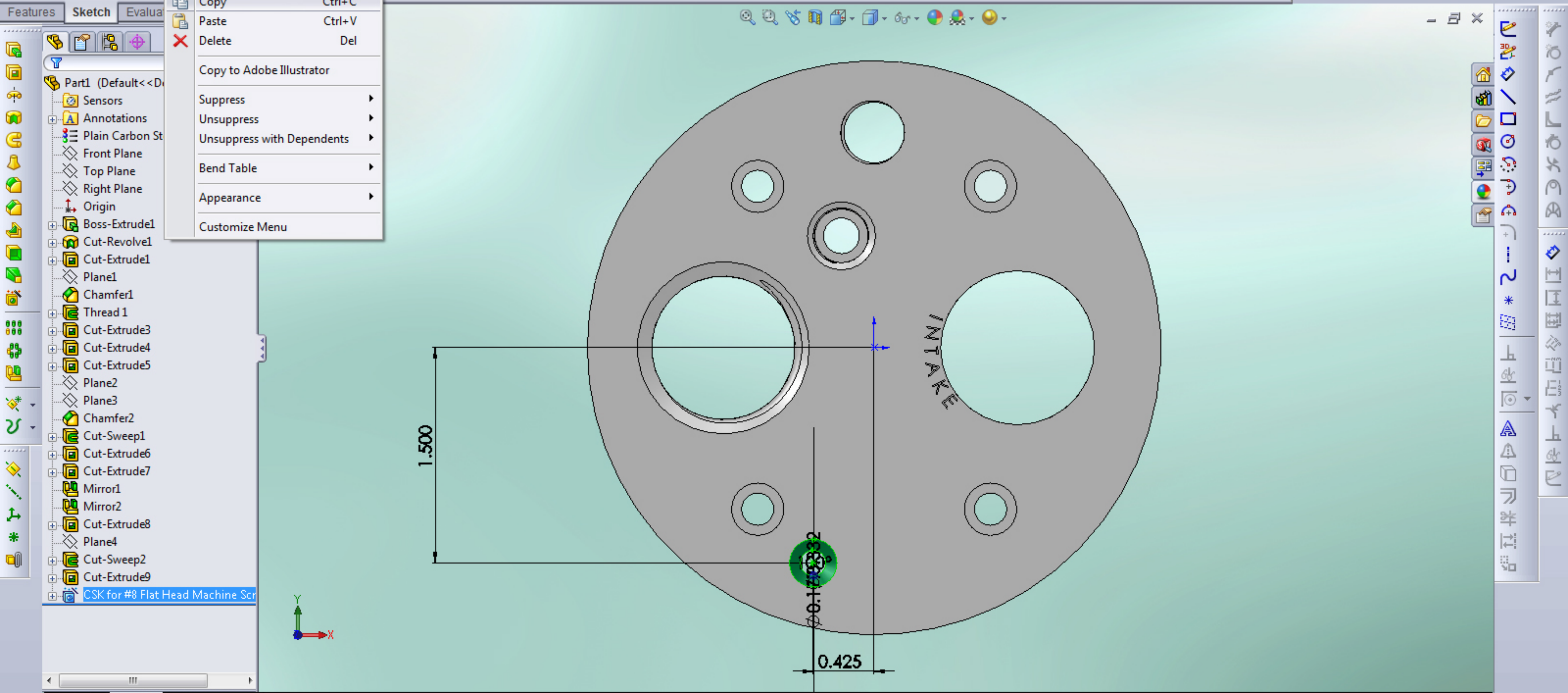
Copy to Adobe Illustrator

Suppress
 Unsuppress
 Unsuppress with Dependents

Bend Table

Appearance

Customize Menu



Undo Hole Wizard Ctrl+Z
 Can't Redo Ctrl+Y
 Repeat Last Command

Cut Ctrl+X
 Copy Ctrl+C
 Paste Ctrl+V
 Delete Del

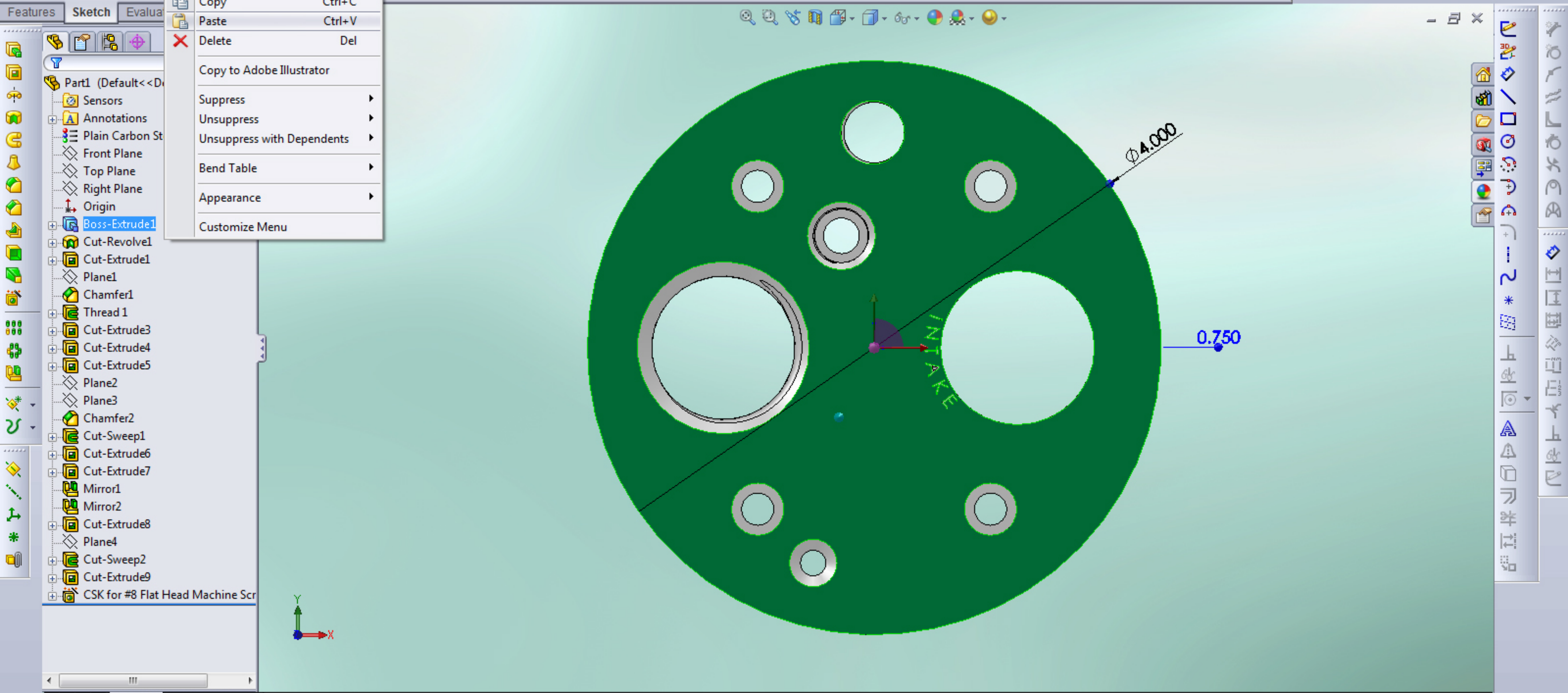
Copy to Adobe Illustrator

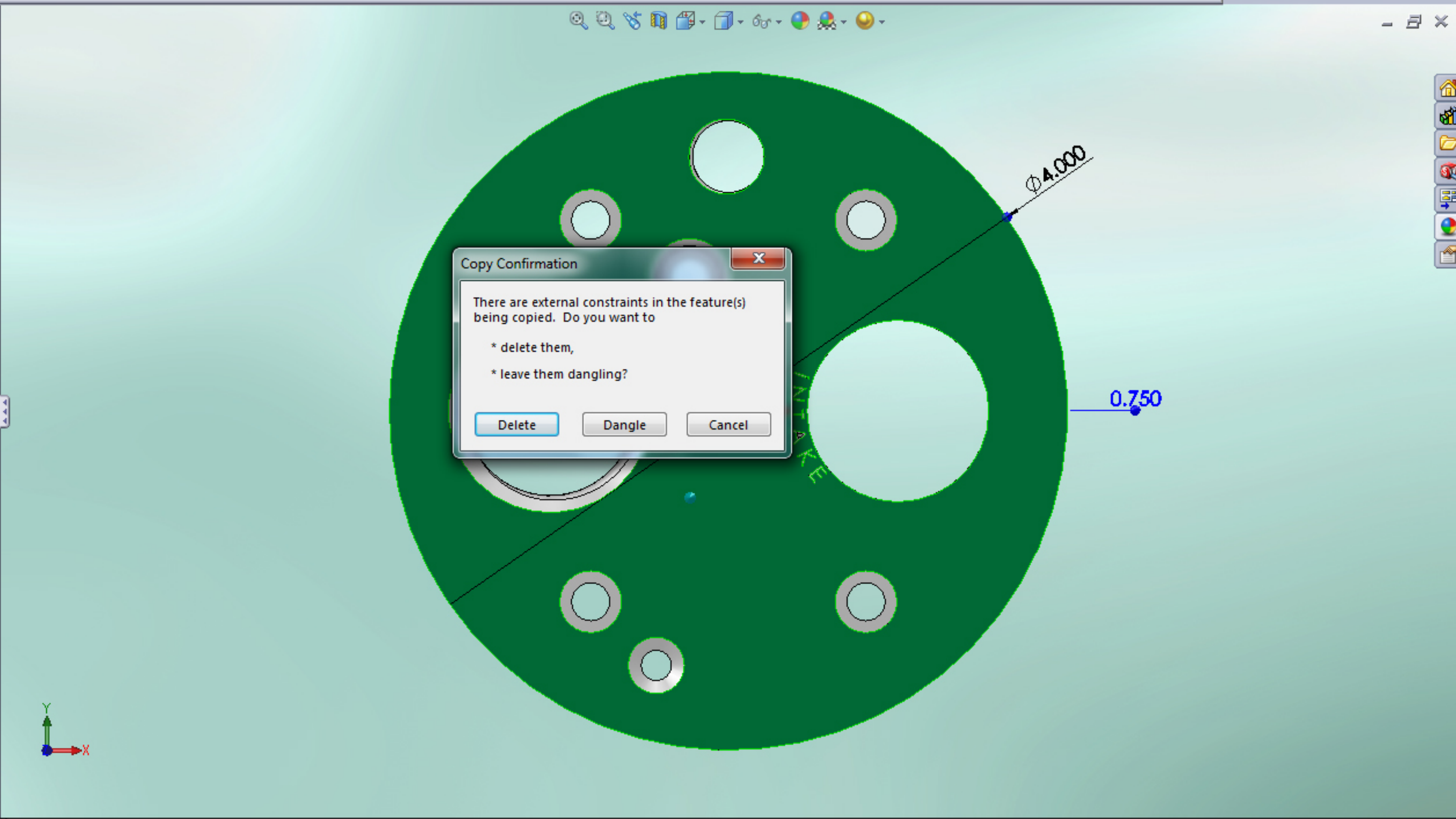
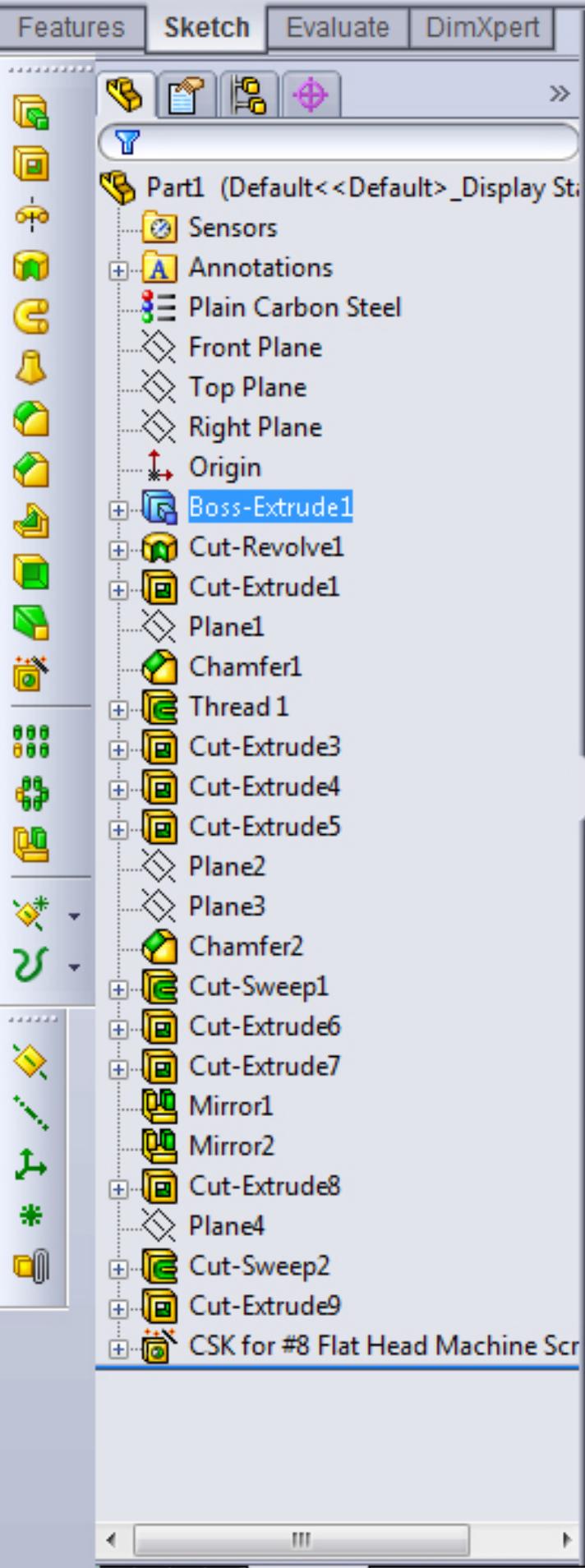
Suppress
 Unsuppress
 Unsuppress with Dependents

Bend Table

Appearance

Customize Menu

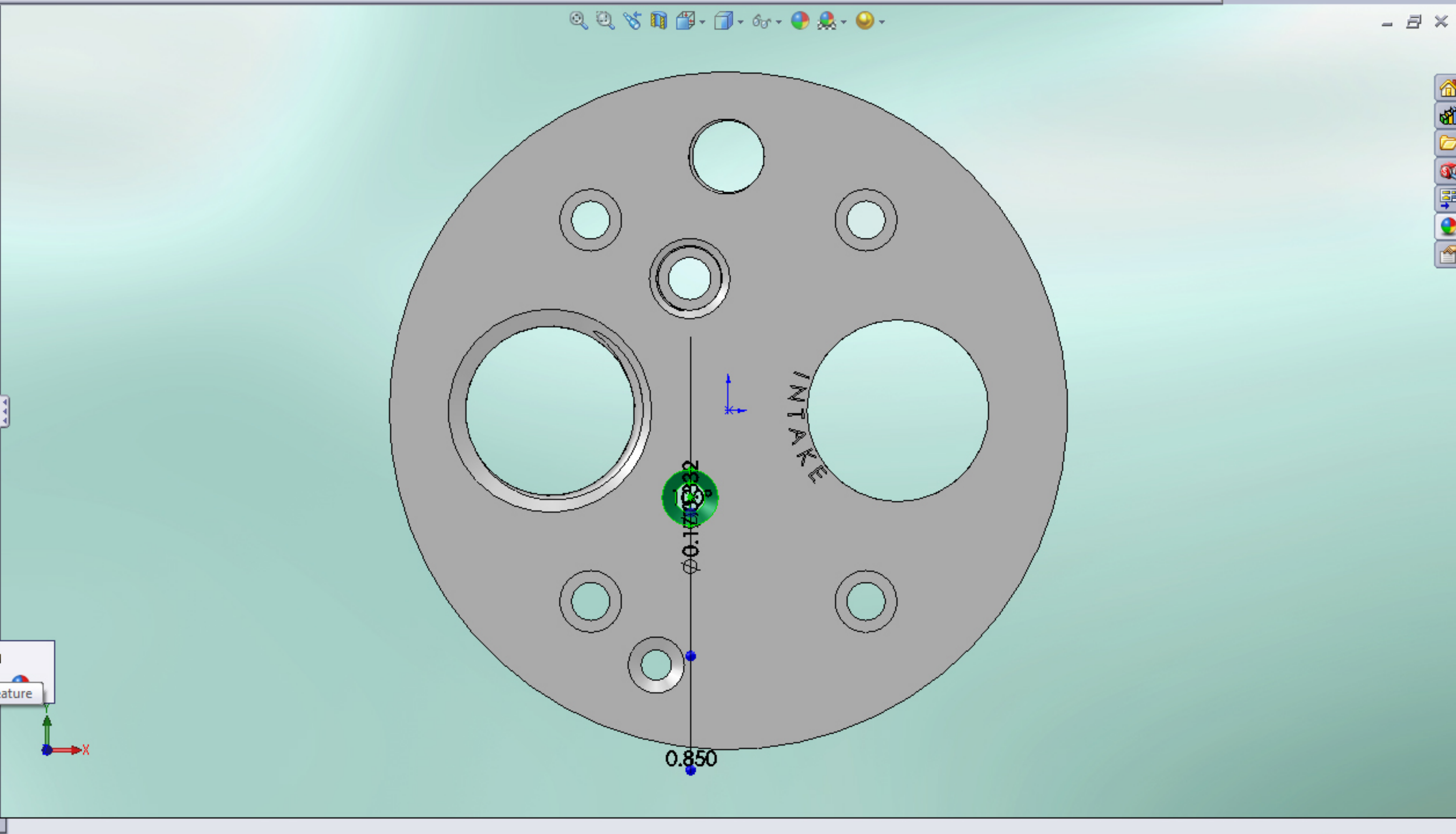






Features Sketch Evaluate DimXpert

- Part1 (Default<<Default>_Display St...
- Sensors
- Annotations
- Plain Carbon Steel
- Front Plane
- Top Plane
- Right Plane
- Origin
- Boss-Extrude1
- Cut-Revolve1
- Cut-Extrude1
- Plane1
- Chamfer1
- Thread 1
- Cut-Extrude3
- Cut-Extrude4
- Cut-Extrude5
- Plane2
- Plane3
- Chamfer2
- Cut-Sweep1
- Cut-Extrude6
- Cut-Extrude7
- Mirror1
- Mirror2
- Cut-Extrude8
- Plane4
- Cut-Sweep2
- Cut-Extrude9
- CSK for #8 Flat Head...
- CSK for #8 Flat Head Machine Scr...





Features Sketch Evaluate DimXpert

Part1 (Default<<Default>_...

Hole Position ?

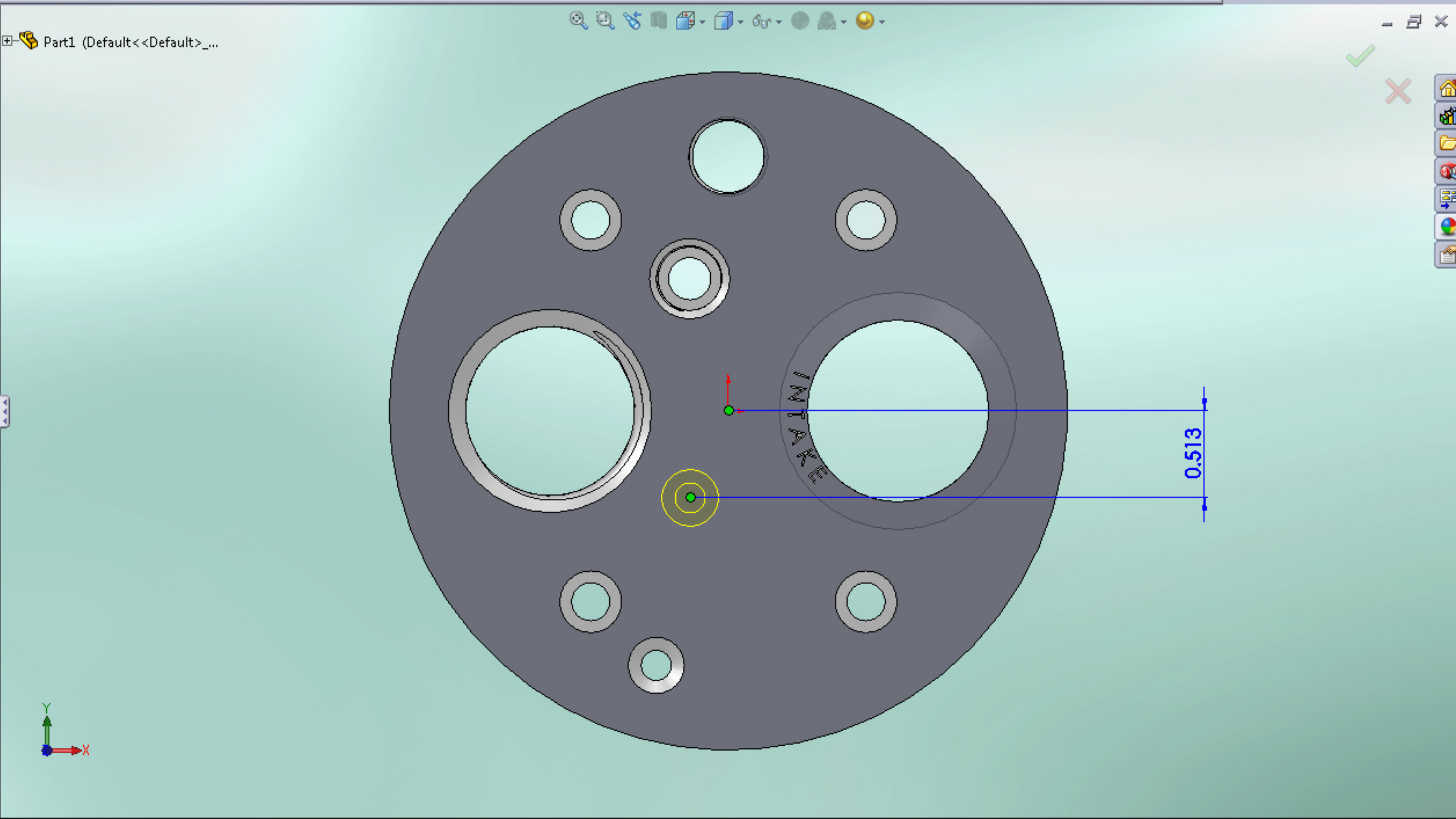
✓ ✗

Type Positions

Hole Position(s)

Use the dimensions and other sketch tools to position the hole center(s).

Click on the 'Type' tab to define the hole specification and size.





- Part1 (Default<<Default>_Display St...
- Sensors
- Annotations
- Plain Carbon Steel
- Front Plane
- Top Plane
- Right Plane
- Origin
- Boss-Extrude1
- Cut-Revolve1
- Cut-Extrude1
- Plane1
- Chamfer1
- Thread 1
- Cut-Extrude3
- Cut-Extrude4
- Cut-Extrude5
- Plane2
- Plane3
- Chamfer2
- Cut-Sweep1
- Cut-Extrude6
- Cut-Extrude7
- Mirror1
- Mirror2
- Cut-Extrude8
- Plane4
- Cut-Sweep2
- Cut-Extrude9
- CSK for #8 Flat Head Machine Scr...
- CSK for #8 Flat Head Machine Scr...

